

5SDK9



BUCKET LOADS OF FEATURES TO KEEP YOU IN CONTROL.

STANDARD FEATURES

- Option of 4 in 1 or G.P. bucket
- High Lift Capacity
- Assist Grips
- Two-point Seatbelt
- Multiple Safety Interlock System
- Load Handling Pedal Control
- Low Vibration and Low Fatigue Control Levers
- Shock-Reducing Bucket Feature
- Back Up Buzzer
- Toyota's Safety System
- ROPS/FOPS (ISO) Guard
- Front and Rear Work Lights
- Overhead Instrument Panel
- Oil Pressure Warning Lights
- Fuel and Temperature Gauges
- Self-Levelling System on Lift
- Lifting Hooks

730kg

(SAE) Operating Load



1800 425 439

www.toyotaskidsteerloader.com.au



**TOP DOG
IN THE
DIRT.**



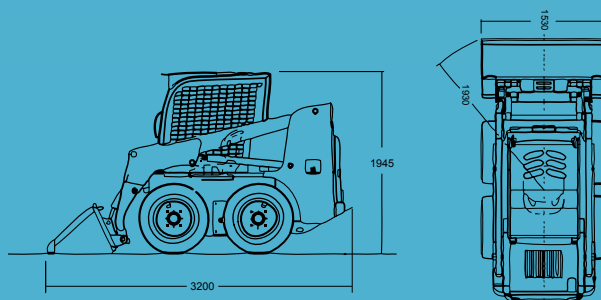
5SDK9

730kg (SAE) Operating Load
44kW (59HP) @ 2,300 rpm
60 lpm @ 2,300 rpm

Tested in Australia to handle the toughest conditions.

The 5SDK9 offers operators class leading levels of steering and operator control, with performance geared to meet the most demanding applications. An optional high flow system available on the 5SDK9 operates most high-flow attachments requiring flows of up to 100 litres per minute, all packaged in a tough Toyota body for outstanding performance you can rely on.

Availability and specifications are subject to change without notice.



ENGINE

Model	TOYOTA 2Z*	
Piston Displacement	cc	3469
Rated Power / r.p.m.	KW	44/2300
Rated Torque / r.p.m.	Nm	200/1600

CONTROLS

Type	HST
Steering	Forward, reverse, variable speed. Two Hand Lever.
Drive	Two Hydrostatic Transmissions with infinitely variable speed

FUEL

Fuel Capacity (Litres)	85
------------------------	----

PERFORMANCE

Tipping Load (SAE)	kg	1500
Operating Load (SAE)	kg	730
Ground Clearance (centre)	mm	275
Machine Weight (with fuel & std bucket)	kg	2660
Dump Height (dump angle 40°)	mm	2290
Reach Fully Raised (dump angle 40°)	mm	450
Dump Angle (max.)	deg	45
Raising Time (full load)	sec	4.0
Lowering Time (no load)	sec	2.6
Dump Time	sec	2.5
Travel Speed	Forward	km/h 11.0
	Reverse	km/h 11.0
Clearance Circle (with bucket)	mm	1930
Gradeability	Forward	% 30
	Reverse	% 57

* Includes 4SDK4 and 5SDK models, please consult your local Toyota Material Handling Branch for details.

THE HUSKI RANGE



4SDK4
320kg



5SDK5
430kg



5SDK8
650kg



5SDK9
730kg



5SDK10
820kg



5SDK11
900kg



1800 425 439

www.toyotaskidsteerloader.com.au

